

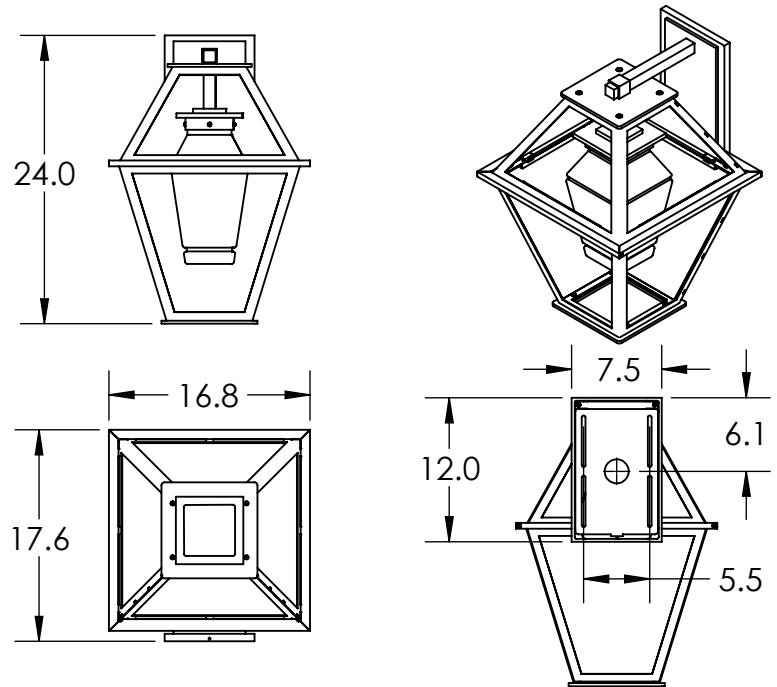
All dimensions are shown in inches unless otherwise stated.



PRODUCT DESCRIPTION

A classic look that suits a broad range of transitional and traditional architectural styles, this oversized sconce design features a metal outer frame with seeded glass and an interior diffuser in hand blown glass. It is offered with a choice of incandescent and AC LED lighting.

The Terrace Nested Lantern Sconce is offered in three AAMA 2604-rated finishes and includes a lifetime warranty to the original purchaser.



Mounting Method: Mounts To Building Structure

PRODUCT SPECIFICATION

Construction: Aluminum Body With Blown Glass and Glass Panes

Finish Options: **AG** **SB** **TB**

Glass Types: **CS**

Suspension Method: Wall Mount

Weight(lbs.): 30

UL Rating: Wet

Top Diffuser: Closed Metal

Bottom Diffuser: Closed Glass

Light Source: LED

Electrical Qty: 1

Wattage (Watts): 4.5

Voltage (Volts): 120

Source Lumens: 400

Dimming: ELV to 1%

CCT: 3000K

Driver Quantity & Location: 0

CRI: 93+

Power Factor: >0.9

SCAN FOR MORE INFORMATION

Notes:

GENERAL NOTES:

Visit studio.hammerton.com to read about our Lifetime Limited Warranty.

All Hammerton fixtures are handcrafted by artisans. Subtle imperfections reflect the mark of the artisan and should be expected in any handcrafted product. Dimensions may vary up to 7/8".

Rev **B** 3/16/2022